



# HOME

## WATER SOFTENER SYSTEM



INSTALLATION GUIDE



# Welcome to the NuvoH2O Family of Whole-Home Water Softener Systems.



Congratulations on your purchase of the NuvoH2O Home System. Instead of using salt or potassium to soften your home's water, NuvoH2O uses CitraCharge—a proprietary, all-natural citrus formulation to soften and condition your home's water. Initially developed for the foodservice industry in the early 1980s, this technology has been solving complex water problems for some of the nation's largest businesses.

You are about to enjoy healthier, soft water that both prevents and removes hard water buildup that clogs and corrodes water heaters, appliances, and plumbing fixtures—each critical to your home and expensive to replace.

## What To Expect From Your Home System

The Home Water Softener System will improve the quality of your water by softening without compromising its natural taste. This innovative system prevents hard water buildup by binding the naturally occurring minerals in your water without removing them. Instead, the Manor Water Softener leaves your naturally mineralized water healthy, ensuring that its structure isn't disturbed during the NuvoH2O softening process.

NuvoH2O-softened water requires less soap in your dishwasher and less detergent when doing laundry. In fact, you can decrease up to half the amount of both. Avoid using pre-soaks or rinse-aids since too much of either can cause a fine white film or spots to form on dishes. This spotting can also be aggravated by some of the non-phosphate detergents found in many states.

The Home System creates natural, pH-balanced water that is healthier for hair and skin. The softened, mineralized water will not produce that slick, can't-rinse-off-the-soap feeling you may have experienced in the shower when using an old-fashioned salt softener.



# Simple & Effective

---

The NuvoH2O's Home System was created foremost with optimum efficacy and simple design, offering superior, eco-friendly water. Systems do not require drains, electricity, calibration, and require little maintenance. Since the softening formula is citric-acid based, an FDA-approved ingredient, it is safe for all household uses, including drinking, bathing, and watering plants

Your new system mounts directly to your home's main internal water line and does not require a soft-water loop. We strongly encourage hiring a professional plumber to install your system.

However, if you are experienced with home plumbing, we've included these instructions to install your Home System. Please note that by choosing to install your system yourself, you assume the liability for its installation.

## Package Contents

- System housing (head & sump)
- Mounting bracket
- 1 Softener cartridge
- 1 Wrench
- Tapcon screw pack
- System head screw pack
- 1 O-ring
- Lubricant
- Warranty/registration card

*Due to varying plumbing standards, other bushings and connectors are not included.*

## System Maintenance

Once installed, your Home System requires minimal maintenance. The only maintenance you should expect to perform is replacing the cartridge as needed (about every six months). You should also replace the O-ring annually. When you replace your cartridge, disinfect the sump with bleach and warm water using a sponge or cloth. Wearing protective gloves clean the inside of the sump with 1/3 cup of bleach and 3 quarts of warm water. Rinse thoroughly.

Again, thank you for choosing NuvoH2O. We look forward to providing you with convenient, eco-friendly, and salt-free soft water for many years to come!



# Before Installation

---

- Ensure that any electrical plugs in the area are covered or disconnected.
- Ensure that the existing plumbing is up to code.
- Turn off water main.
- Acquire and install a pressure regulator if you don't already have one.

## Warnings & Cautions

- The NuvoH2O softener is intended for the treatment of hard water with alkaline pH; do not install if inlet water has a pH of 7.2 or less.
- Do not use with water that is micro-biologically unsafe or of unknown quality without adequately treating or disinfecting water before the system.
- Do not allow cartridge contents to come in contact with surfaces comprised of copper, stone (natural or unsealed), carpet, cement, or other flooring.
- Insulate any outside pipes that can reach extreme temperatures (higher than 80° F (27° C) or lower than 32° F (0° C)).
- Do not install near electrical appliances.
- Maximum working water temperature is 113° F (45° C). Minimum working water temperature is 39° F (4° C). Maximum working water pressure is 100 PSI (6.8 bar). Minimum working water pressure is 7.25 PSI (0.5 bar)
- Ensure that the plumbing has been installed according to the plumbing code. Installation must comply with all state and local laws and regulations.
- Ensure that the water main has been shut off prior to installation.
- Replace the filter and the cartridge at least every six months or as needed based on water usage. Failure to replace the cartridges in recommended intervals may result in poor softener performance and/or cracks in the housing, causing leakage and possible flooding.
- Failure to maintain your system may result in poor performance and/or cracks in the housing, causing leakage and possible flooding.
- Lubricate (included) O-ring.
- If water leaks between sump and head, re-lubricate the O-ring or replace the O-ring with a new one.
- If the system is unused for an extended period, replace the cartridge before use.
- After prolonged periods of non-use (such as during a vacation), it is recommended that the system be flushed thoroughly. Let the water run for five to six minutes before using.
- The system sump should be replaced every 7 years to prevent costly repairs or possible water damage.
- Do not use aerosol sprays (e.g., bug sprays, cleaning fluids, etc.) near the system. They contain organic solvents, which may cause cracking or other damage.
- Avoid dropping, hitting, or scratching sump. Minor damage from inappropriate handling can lead to cracks and eventual failure.

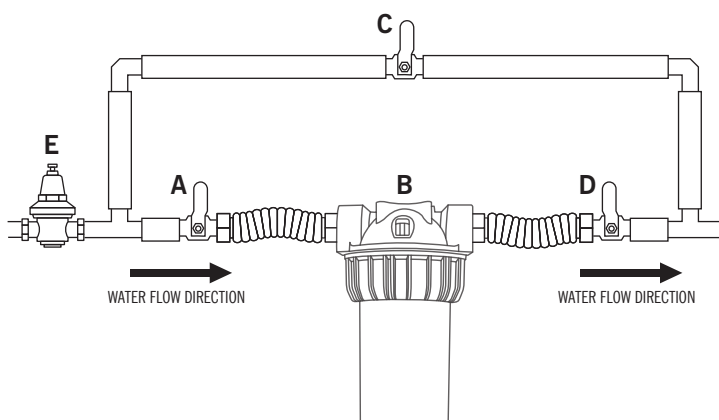
*Note: Cannot be added behind an ion exchange system.*



# Installation Instructions



1. Verify the water main has been shut off.
2. Using a stud finder, attach mounting bracket to the studs in the wall.
3. Remove the system from package. Remove the cartridge from the housing. Be sure to check inside the system for loose foam, plastic, or package contents.
4. Install the system by attaching the head to the mounting bracket. Ensure that the system is installed vertically with the blue head at the top of the system. Do not invert the system.
5. If needed install a pressure regulator (E) ahead of the NuvoH2O system. Set for 45-65 PSI. A pressure spike, though unlikely, can still damage the system if it is not protected and potentially result in leaks.
6. Install a bypass. See the diagram below.
7. Use 3-4 wraps of Teflon tape to seal the connections.
8. Use flexible hoses to connect the inlet pipe to the inlet port on the system head and connect the outlet port of the system head to the outlet pipe. Failure to use flexible hoses may result in water leakage.
9. Lubricate (included) the O-ring at the top of the housing sump.
10. Remove the protective plastic wrap from the cartridge before inserting back into housing.
11. Insert and seat the cartridge into the sump. The small, round holes on the side of the cartridge must be at the top. See the cartridge replacement instructions for more details.
12. Attach sump (now with the cartridge inside) to head by rotating the head counterclockwise. Secure with the wrench provided.
13. Loosen the pressure release valve on the top of the head using a screwdriver. Do NOT remove the pressure release valve.
14. Open the first bypass valve (A), allowing the sump to fill with water. When water leaks from the pressure release valve at the top of the head, tighten to close (B). Do not overtighten.
15. Close the first bypass valve (A), allow cartridge to sit in the housing without water flow. After one hour open for main valve (C), thus allowing water to flow throughout the household while cartridge sits idle.
16. After one hour, close the top bypass valve (C) and slowly open the first and last bypass valves (A & D), allowing water to flow through the system.







## NuvoH2O Cartridge Replacement

1. Before replacing cartridge, we recommend having a towel on hand and placing a bucket underneath your softener system to catch any water that may spill. The bucket should also be used to carry your spent cartridge as the concentrated solution can damage flooring if it drips from the cartridge.
2. Discontinue water flow to the system by closing valves A and D (see diagram on page 3). Open valve C, allowing water to flow to the home. Loosen pressure release valve in the head of the system with a screwdriver. Use towel to absorb water that leaks from the valve.
3. Using the black plastic wrench provided, turn the sump clockwise (left) to loosen the sump from the head of the system. CAUTION: The sump will be heavy and full of water!
4. Remove the spent cartridge and place in a bucket. Turn it upside down into a porcelain sink or tub and let it drain completely. The outside of the cartridge can be rinsed with warm water. The water that empties from the cartridge will be very concentrated. DO NOT allow it to come in contact with copper, stone (natural or unsealed), carpet, cement, or other flooring.
5. Wash the sumps with bleach and warm water using a nonabrasive sponge or cloth. Clean the inside of the sump with 1/3 cup of bleach and 3 quarts of warm water. Rinse thoroughly.
6. Remove the plastic shrink wrap from your new cartridge and insert them into the sumps. The small, round holes on the side of the cartridge must be at the top.
7. Inspect O-ring, on the top of the sump, for wear. Ensure it is seated properly. Lubricate O-ring with a water-based lubricant or replace as needed.
8. Be sure to align the cartridge properly in the sump and head. Failure to do so may cause them to crack when tightening the sump back onto the head.
9. Carefully attach the sump (now with the cartridge inside) to head by rotating the head counter clockwise. Secure with the wrench provided.
10. Open the first bypass valve (A), allowing the sump to fill with water. When water leaks from the pressure release valve at the top of the head, tighten to close (B).
11. Close the first bypass valve (A), allow cartridge to sit in the housing with no water flow. After one hour open the main valve (C), thus allowing water to flow throughout the household while cartridge sits idle.
12. After one hour, close the top bypass valve (C) and open the first and last bypass valves (A&D), allowing the water to flow through the system.
13. After installation, allow water to flow through the system without consuming the water, i.e., a shower for at least an hour.

*Note: If the system is unused for an extended period replace the cartridge before use.*



## Money-Back Guarantee

---

We're so confident in the performance of the Home System, that if you are not completely satisfied within the first 90 days from the date of purchase, you may return it for a full refund of your purchase price, less shipping and handling. Visit [NuvoH2O.com/policies](https://www.nuvoh2o.com/policies) to learn more.

Everyone's water quality is different. If you're not getting results you expect, we may be able to help you adjust the treatment level from your softener to improve your water quality. Please contact us if we can be of any assistance. Call **877-688-6426** or email [nuvocs@nuvoh2o.com](mailto:nuvocs@nuvoh2o.com).

Purchases made through third-party resellers and retail partners must be returned through those partners and are subject to their return policies.

### 5-Year Limited Warranty

In the unlikely event that you experience a manufacturing defect with your system, NuvoH2O may either modify, or exchange your softener. To qualify for warranty, you must purchase the system directly from NuvoH2O or an authorized NuvoH2O reseller, register your system with NuvoH2O, and use only genuine NuvoH2O replacement cartridges and parts. For full warranty details, visit [NuvoH2O.com](https://www.nuvoh2o.com).

### Product Registration

To register your NuvoH2O Home System, visit: [NuvoH2O.com/register](https://www.nuvoh2o.com/register). If you do not have access to a computer please call one of our helpful customer service agents at: **877-688-6426**. Or you can mail the registration card included with your system.